

## L-PCP06B Ceiling Loudspeaker

### FEATURES

- Extraordinary audio and music reproduction
- Higher sensitivity
- Easy installation and cost effective
- Simple power operation
- Excellent anti-crush performance
- High strength fire resistant ABS plastic
- CE and RoHS compliant



### PRODUCT DESCRIPTION

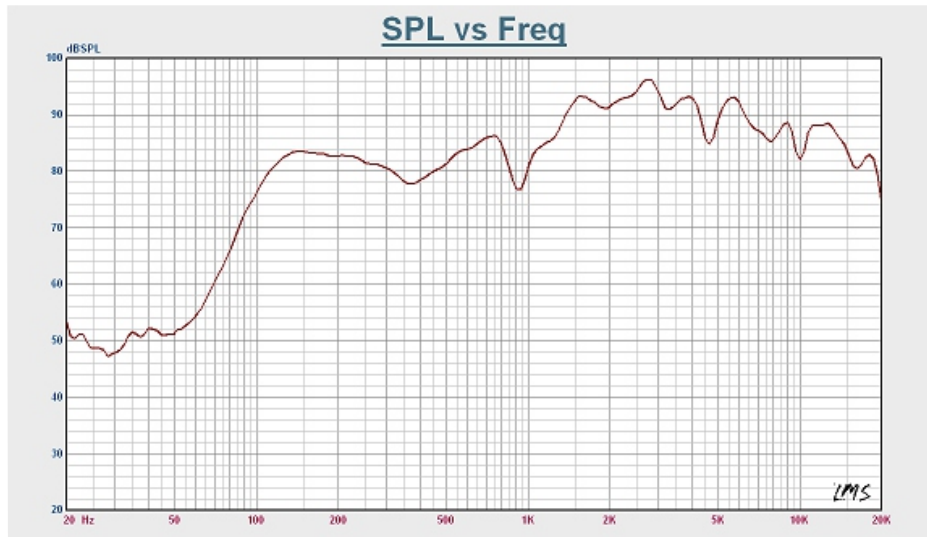
L-PCP06B is a cost-competitive ceiling loudspeaker that delivers high intelligibility sound in an aesthetic appealing enclosure. Featuring a higher sound pressure level and wider frequency response range, the full range speaker ensures an excellent audio performance within the frequency response range. It is intended for use in environments such as warehouses, schools, office buildings, hotels and canteens. The 6W dual-cone speaker and the 100V matching transformer mounted on the back

guarantee an excellent audio and music reproduction. Its sturdy mechanical design protects the product from vibration and force distortion. Clamp on the back box is for flush installation. Screw terminals or push-in style terminals attached on the speaker provide ease of cable connection. The low profile yet modern design finished in neutral white color is suitable for any kinds of indoor applications. The loudspeaker is CE and RoHS compliant.

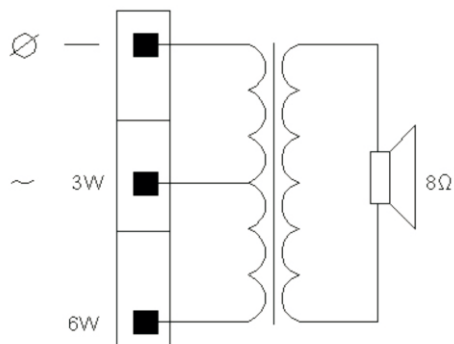
### TECHNICAL SPECIFICATIONS

Model	L-PCP06B
Max power	9 W
Rated power	6 W
Power taps @ 100V	6 W / 3 W
Power taps @ 70V	3 W / 1.5 W
SPL at 6W / 1W ( 4k Hz, 1m)	98 dB / 92 dB
Frequency response ( - 10 dB )	110 Hz - 18k Hz
Dispersion angle ( 1k Hz / -6 dB )	150°
Rated input voltage	100 V / 70 V
Rated impedance	1.7k $\Omega$ / 3.3k $\Omega$
Connector	Plastic terminal blocks
Dimensions ( $\Phi$ × H )	$\Phi$ 188 mm × 75 mm
Hole cut-out size	$\Phi$ 175 mm
Diameter of speaker	5.5"
Weight	0.77 kg
Color	White ( RAL9003 )
Weight of magnet	152 g

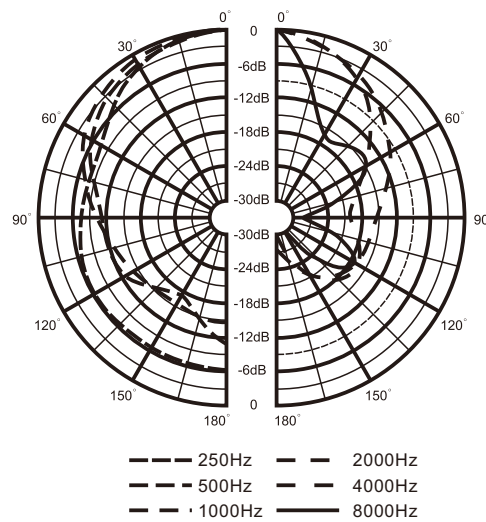
# FREQUENCY RESPONSE



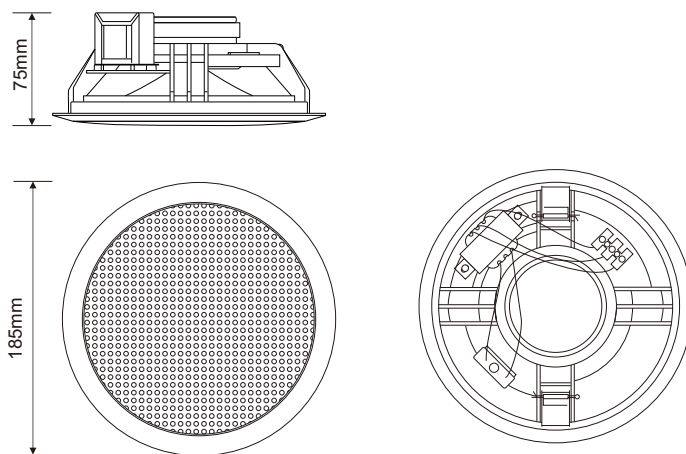
## CIRCUIT DIAGRAM



## POLAR DIAGRAM



## THREE-VIEW DIAGRAM



## Honeywell Audiovisuals

No. 257, Junye Road  
Guangzhou GETDD East  
510530 China

Tel: +86 20 2839 9600  
Fax: +86 20 2820 8706  
www.honeywellav.com

2100040591\_EN2.4  
Nov 2012  
© 2012 Honeywell International Inc.

