

L-POM20A Column Loudspeaker

FEATURES

- Intelligible voice and superior sound reproduction
- Robust aluminum housing
- Supplied with universal swivel bracket for easy angle adjustment
- Adjustable 70V and 100V inputs
- Applicable to extreme environment
- Complies with IP66 standard
- CE and RoHS compliant



PRODUCT DESCRIPTION

L-POM20A is a high-performance 20W public address column loudspeaker for outdoor use. It provides a broad frequency response range, low distortion and high sound pressure level for accurate and intelligible broadcasts of evacuation messages and high quality sound reproduction. Its low-profile, white color design blends easily with most interiors in locations such as hotels, conference rooms, cinemas, theme parks, factories and exhibitions.

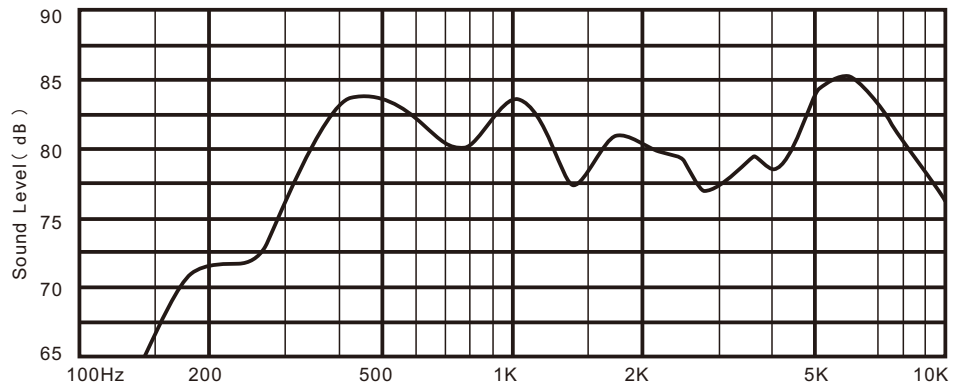
In case of a fire emergency, its aluminum

enclosure and high-temperature ceramic wiring connector protect the speaker's internal components from the increased heat often present in fire conditions, extending its ability to remain operational and broadcast important information during a fire emergency. In addition, the loudspeaker's swivel bracket is also made of aluminum, making them durable and corrosion proof. The loudspeaker is also supplied with a temperature fuse that protects it from overheating due to improper loading.

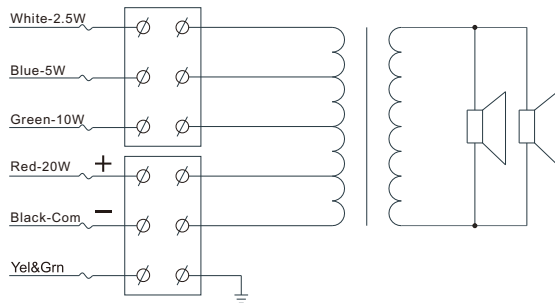
TECHNICAL SPECIFICATIONS

Model	L-POM20A
Max power	30 W
Rated power	20 W (10W × 2)
Power taps @ 100V	20 W / 10 W / 5 W / 2.5 W
SPL at 20 W / 1W (1KHz, 1m)	107 dB / 94 dB
Frequency response (- 10 dB)	300 Hz - 15 KHz
Dispersion angle (1KHz / -6 dB)	160°
Rated input voltage	100 V / 70 V
Rated impedance	500 Ω / 1 KΩ / 2 KΩ / 4 KΩ
Connector	Fire-resistant cable
Dimensions (W × H × D)	165 × 150 × 344 mm
Weight	3.75 Kg
Color	White(RAL9003)
Speaker size	4" × 2
Operating temperature	-25 °C to + 55 °C
Storage temperature	-40 °C to + 70 °C
Relative humidity	< 95 %

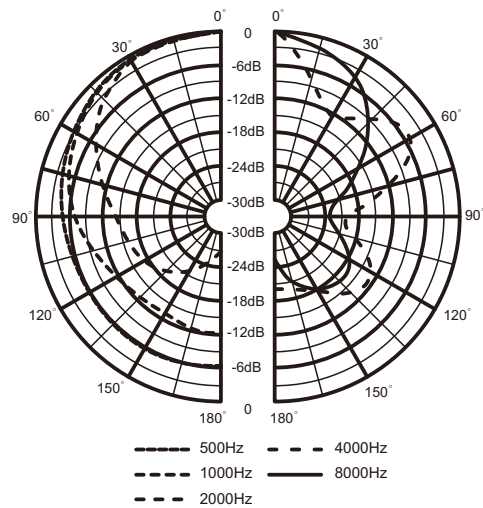
FREQUENCY RESPONSE



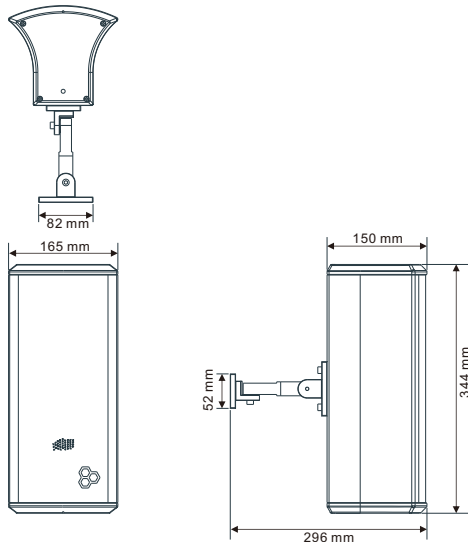
CIRCUIT DIAGRAM



POLAR DIAGRAM



THREE-VIEW DIAGRAM



Honeywell Audiovisuals

No. 257, Junye Road
 Guangzhou GETDD East
 510530 China
 Tel: +86 20 2839 9600
 Fax: +86 20 2820 8706
 www.honeywellav.com

1020902009_EN2.3
 Nov 2012
 © 2012 Honeywell International Inc.

Honeywell