

L-PWP03A Cabinet Loudspeaker

FEATURES

- Water resistant cone
- Powerful and intelligible audio performance
- Suitable in humid condition
- Stylish design
- Simple power setting
- High strength and fire resistant ABS enclosure
- Easy installation and cost effective
- CE and RoHS compliant



PRODUCT DESCRIPTION

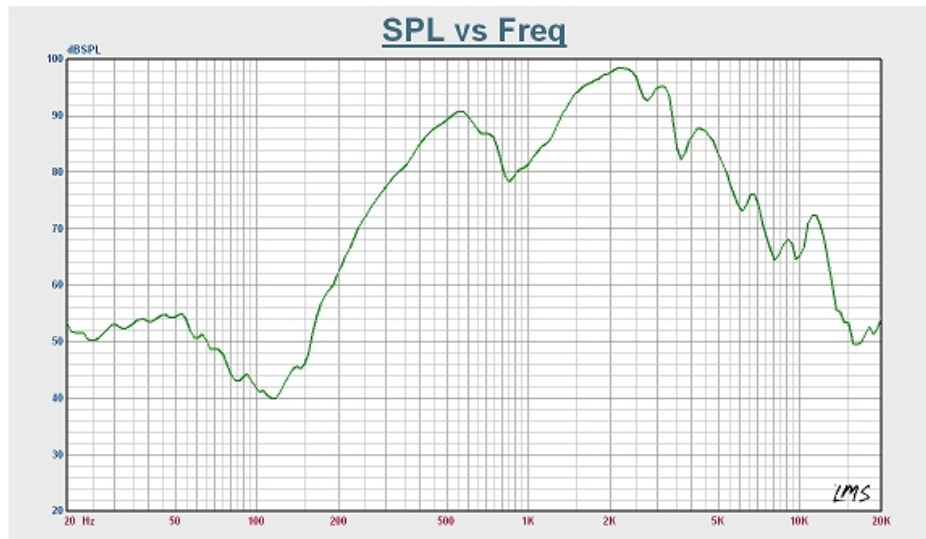
L-PWP03A is a 3W, cost-competitive and multi-purpose loudspeaker designed for surface wall mount. It is ideal for distributing sound evenly. The loudspeaker is supplied with a back box and has a built-in protection to ensure a longer operating life. The water resistant cone unit guarantees a clear acoustic performance free from unwanted interference under humid conditions. Stylish, compact and unobtrusive design makes it suitable for general public

address applications such as shopping malls, supermarkets, and educational institutes, office buildings, hotels and restaurants. The unit is equipped with a spring type terminal on the back box which allows easy connection by simply tuck and press, saving both time and cost. Direct screw installation is also provided for a more secure connection especially when unexpected cable tension is anticipated. The loudspeaker is CE and RoHS compliant.

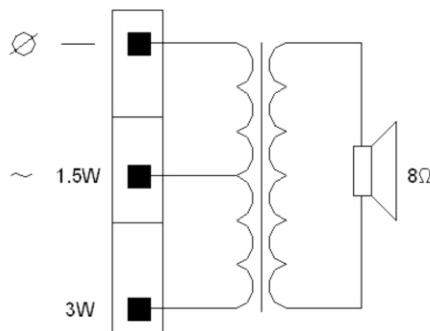
TECHNICAL SPECIFICATIONS

Model	L-PWP03A
Max power	5 W
Rated power	3 W
Power taps @ 100V	3 W / 1.5 W
Power taps @ 70V	1.5 W / 0.75 W
SPL at 3W / 1W (3k Hz, 1m)	98 dB / 92 dB
Frequency response (- 10 dB)	150 Hz - 15k Hz
Dispersion angle (1k Hz / -6 dB)	180°
Rated input voltage	100 V / 70 V
Rated impedance	3.3k Ω / 6.7k Ω
Connector	Push terminal
Dimensions (W × H × D)	120 × 130 × 60 mm
Diameter of speaker	3"
Weight	400 g
Color	White (RAL9010)
Weight of magnet	48 g

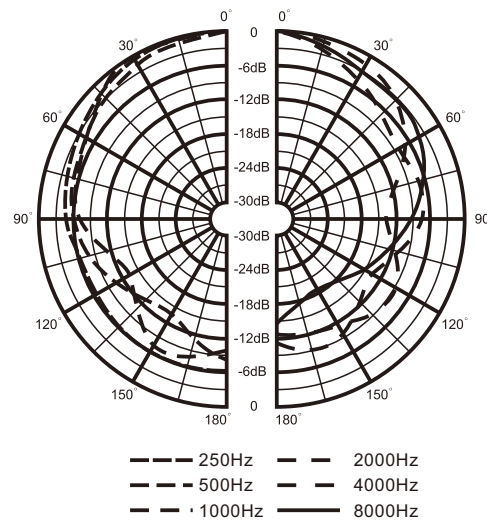
FREQUENCY RESPONSE



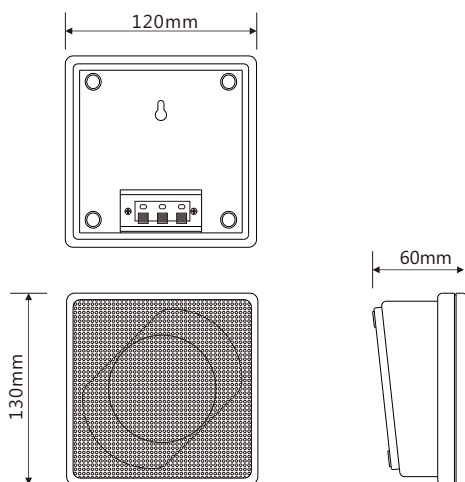
CIRCUIT DIAGRAM



POLAR DIAGRAM



THREE-VIEW DIAGRAM



Honeywell Audiovisuals

No. 257, Junye Road
 Guangzhou GETDD East
 510530 China
 Tel: +86 20 2839 9600
 Fax: +86 20 2820 8706
 www.honeywellav.com

2100040587_EN2.1
 Nov 2012
 © 2012 Honeywell International Inc.

Honeywell