

# L-VBM20A/EN(C) L-VBM20A/EN Bidirectional Projection Loudspeaker

## FEATURES

- Intelligible voice and superior sound reproduction
- Ceiling or wall mount
- Meets virtually any outdoor requirements
- Complies with EN54-24 standard
- Complies with IP65 standard
- Available with or without capacitor(part number without “C”)



## PRODUCT DESCRIPTION

L-VBM20A/EN is a high-performance 20W voice alarm bidirectional projection loudspeaker. It provides a broad frequency response range, low distortion and high sound pressure level for accurate and intelligible broadcast of evacuation messages and high quality sound reproduction. It can be used in indoor, outdoor, dry, or wet applications,

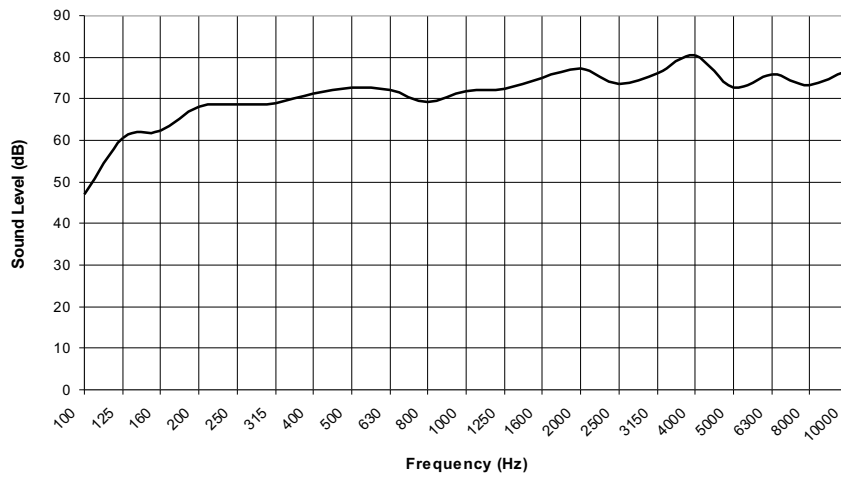
providing reliable operations over wide temperature and humidity ranges. Bidirectional loudspeaker is the best choice for applications such as tunnel, gallery and shopping arcade.

This voice alarm bidirectional projection loudspeaker complies with BS 5859 part 8 and EN54 part 24.

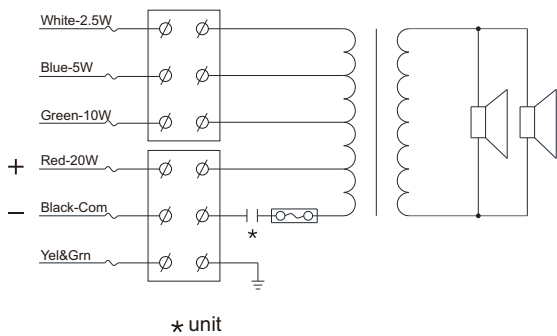
## TECHNICAL SPECIFICATIONS

Model	L-VBM20A/EN(C)	L-VBM20A/EN
Max power	30 W	
Rated power	20 W (10 W x 2)	
Power tapping	20 W / 10 W / 5 W / 2.5 W	
Sensitivity(1W/4m,100Hz~10kHz)	75 dB	
SPL(1W/1m,100Hz~10kHz)	87 dB	
SPL(20W/4m,100Hz~10kHz)	87 dB	
Frequency response(-10 dB)	150 Hz ~ 20k Hz	
Rated input voltage	100 V / 70 V	
Rated impedance	500 Ω / 1K Ω / 2K Ω / 4K Ω	
Connection	Fire-resistant cable	
Dimensions	Φ140 mm x195 mm	
Weight	3.23 Kg	
Color	White (RAL9003)	
Speaker size	5.25" x 2	
Operating temperature	-25 °C to +55 °C	
Storage temperature	-40 °C to +70 °C	
Relative humidity	< 95 %	

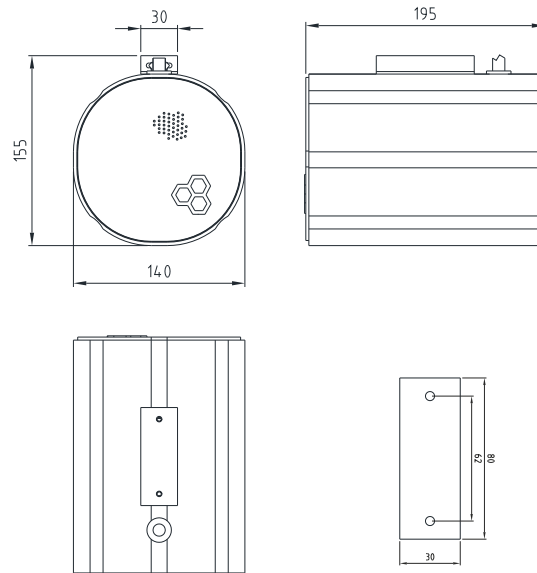
## FREQUENCY RESPONSE



## CIRCUIT DIAGRAM



## THREE-VIEW DIAGRAM



## DISPERSION ANGLES

		Horizontal	Vertical
1 oct. pink noise	500 Hz	128°	127°
1 oct. pink noise	1k Hz	161°	162°
1 oct. pink noise	2k Hz	148°	111°
1 oct. pink noise	4k Hz	59°	56°

## Honeywell Audiovisuals

No. 257, Junye Road  
 Guangzhou GETDD East  
 510530 China  
 Tel: +86 20 2839 9600  
 Fax: +86 20 2820 8706  
 www.honeywellav.com

2100041734\_EN1.0  
 Nov 2012  
 © 2012 Honeywell International Inc.

**Honeywell**